

STRADA € 2020.BELU



STRADA

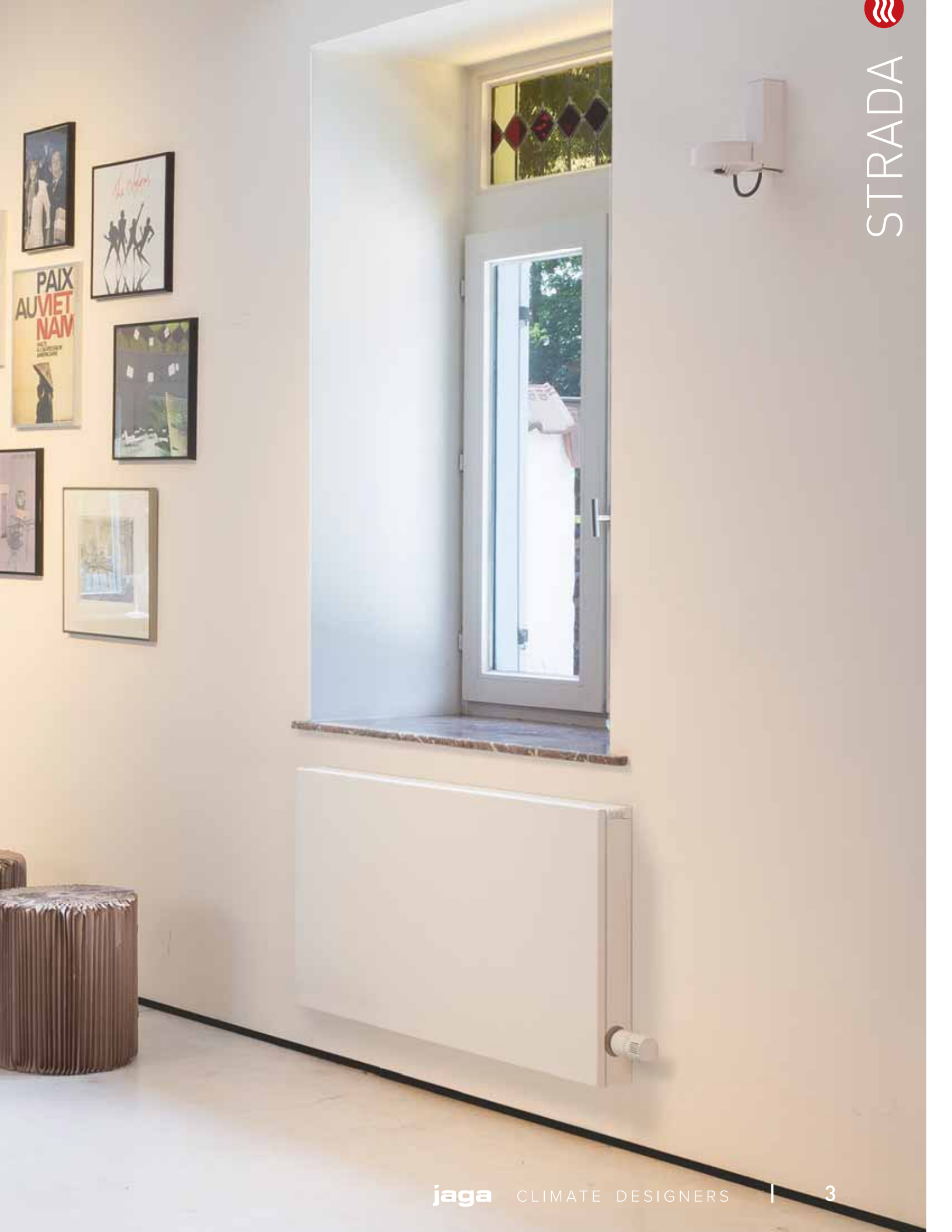
Chaleur et design épuré

- Habillage robuste avec panneau frontal plat et grille design en aluminium lisse.
- En partie pré-monté pour une installation encore plus rapide.
- La technologie Low-H₂O avec échangeur de chaleur super conducteur et ultra rapide pour une faible consommation d'énergie et une émission de chaleur maximale.
- Twin Power pour une compensation plus rapide du flux d'air froid descendant dû au vitrage ou grilles de ventilation.
- Idéal pour une vanne intégrée et un raccordement totalement invisible.
- Basse température de contact, sécurisé.
- **Garantie 30 ans** sur l'échangeur de chaleur.

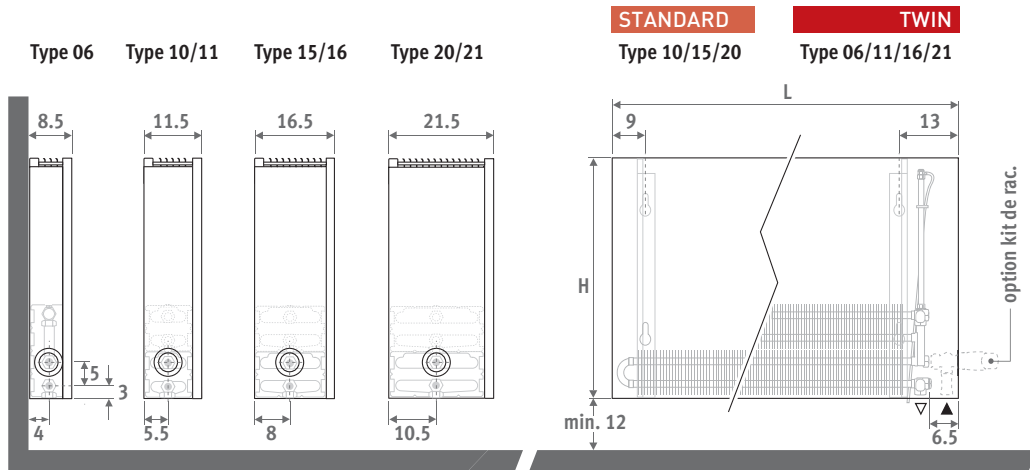


design award
winner





DIMENSIONS (en cm)



LIVRAISON

Radiateur facile à installer par une seule personne. Livré dans un emballage en carton pratique qui est aussi utilisable en tant que protection de chantier de l'habillage.

Livraison standard:

- échangeur de chaleur Low-H₂O avec consoles murales, kit de fixation, purgeur rallongé 1/8" et bouchon de vidange 1/2"
- habillage pré-montée pour raccordement en bas à gauche ou à droite
- plaque de recouvrement en look acier inoxydable pour le côté latéral de raccordement non utilisé.

COULEURS

Peinture écologique avec revêtement en poudre anti-rayure et haute résistance UV.

Couleurs standards:

- blanc circulation RAL 9016 (133), laque soft touch, aspect satin, finement structurée
- gris sablé (001), laque métallique, fine texture

Autres couleurs: voir carte de couleurs.

RACCORDEMENT

Raccordement standard:

En bas à gauche ou à droite, vers le mur ou vers le sol. Le raccordement mural via la partie inférieure de l'habillage, ou totalement invisible au sein de cet habillage, selon la vanne ou le kit de raccordement choisis.

Option top vanne:

Compléter le code en indiquant la position de la vanne /30 (gauche) ou /60 (droite)

Ex. STRW.035 050 06.xxx/60

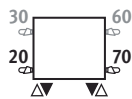
Prix top vanne voir "Kits de raccordement & Vannes Low-H₂O".

Option vanne avec commande à distance:

Compléter le code par /00.

Ex. STRW.035 050 06.xxx/00

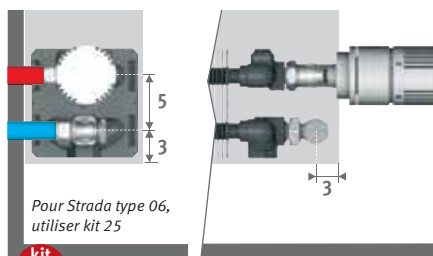
Prix kits de vannes voir "Kits de raccordement & Vannes Low-H₂O".



KITS DE RACCORDEMENT

Vers le mur, complètement intégrée dans l'habillage

Tête thermostatique et raccords bicônes Euro-cone 3/4" inclus



Pour Strada type 06, utiliser kit 25

kit 225

CODE BITUBE



COLO.SW2.JC.4... 66,00



COLO.SW2.JW.4... 57,00

indiquer code raccord bicône

Tube métallique de précision 14/1 114

Tube métallique de précision 15/1 115

Tube métallique de précision 16/1 116

Multicouches PER/ALU 16/2 616

Autres raccordements:

Voir chapitre "Kits de raccordement & Vannes Low-H₂O" pour toutes possibilités de raccordement et données techniques.

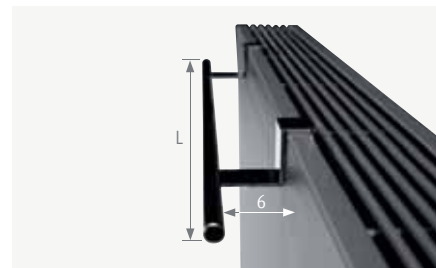


CODE DE COMMANDE

code hauteur longueur type couleur
STRW . 020 050 10 . XXX
remplir code de couleur ↓

PORTE-SERVIETTES

en aluminium chromé



| CODE | L | € |
|----------|----|--------|
| 5501.001 | 56 | 201,00 |
| 5501.002 | 66 | 201,00 |

| L | STANDARD | | | | | TWIN | | | | |
|-----|----------|----------------|----------------|------------------|------------|------|----------------|----------------|------------------|------------|
| | Type | Watts 75/65 | Watts 55/45 | € couleur st. | € autre | Type | Watts 75/65 | Watts 55/45 | € couleur st. | € autre |
| 050 | --- | --- | --- | --- | --- | 06 | 269 | 131 | 136,00 | 177,00 |
| | 10 | 328 | 159 | 126,00 | 170,00 | --- | --- | --- | --- | --- |
| | 15 | 545 | 265 | 148,00 | 195,00 | --- | --- | --- | --- | --- |
| | 20 | 766 | 373 | 172,00 | 223,00 | --- | --- | --- | --- | --- |
| 060 | --- | --- | --- | --- | --- | 06 | 323 | 157 | 145,00 | 188,00 |
| | 10 | 393 | 191 | 135,00 | 182,00 | --- | --- | --- | --- | --- |
| | 15 | 654 | 319 | 160,00 | 211,00 | --- | --- | --- | --- | --- |
| | 20 | 919 | 448 | 187,00 | 242,00 | --- | --- | --- | --- | --- |
| 070 | --- | --- | --- | --- | --- | 06 | 377 | 183 | 163,00 | 209,00 |
| | 10 | 459 | 223 | 151,00 | 200,00 | --- | --- | --- | --- | --- |
| | 15 | 763 | 372 | 181,00 | 235,00 | --- | --- | --- | --- | --- |
| | 20 | 1072 | 522 | 215,00 | 274,00 | --- | --- | --- | --- | --- |
| 080 | --- | --- | --- | --- | --- | 06 | 430 | 209 | 175,00 | 224,00 |
| | 10 | 524 | 255 | 162,00 | 214,00 | --- | --- | --- | --- | --- |
| | 15 | 872 | 425 | 195,00 | 251,00 | --- | --- | --- | --- | --- |
| | 20 | 1226 | 597 | 232,00 | 295,00 | --- | --- | --- | --- | --- |
| 090 | --- | --- | --- | --- | --- | 06 | 484 | 236 | 187,00 | 238,00 |
| | 10 | 590 | 287 | 174,00 | 230,00 | --- | --- | --- | --- | --- |
| | 15 | 981 | 478 | 212,00 | 275,00 | --- | --- | --- | --- | --- |
| | 20 | 1379 | 672 | 252,00 | 321,00 | --- | --- | --- | --- | --- |
| 100 | --- | --- | --- | --- | --- | 06 | 538 | 262 | 200,00 | 252,00 |
| | 10 | 655 | 318 | 186,00 | 244,00 | --- | --- | --- | --- | --- |
| | 15 | 1090 | 531 | 229,00 | 294,00 | --- | --- | --- | --- | --- |
| | 20 | 1532 | 746 | 275,00 | 347,00 | --- | --- | --- | --- | --- |
| 110 | --- | --- | --- | --- | --- | 06 | 592 | 288 | 211,00 | 265,00 |
| | 10 | 721 | 350 | 196,00 | 257,00 | --- | --- | --- | --- | --- |
| | 15 | 1199 | 584 | 243,00 | 312,00 | --- | --- | --- | --- | --- |
| | 20 | 1685 | 821 | 293,00 | 370,00 | --- | --- | --- | --- | --- |
| 120 | --- | --- | --- | --- | --- | 06 | 646 | 314 | 223,00 | 281,00 |
| | 10 | 786 | 382 | 209,00 | 276,00 | --- | --- | --- | --- | --- |
| | 15 | 1308 | 637 | 261,00 | 336,00 | --- | --- | --- | --- | --- |
| | 20 | 1838 | 895 | 315,00 | 399,00 | --- | --- | --- | --- | --- |
| 140 | --- | --- | --- | --- | --- | 06 | 753 | 366 | 243,00 | 305,00 |
| | 10 | 917 | 446 | 228,00 | 298,00 | --- | --- | --- | --- | --- |
| | 15 | 1526 | 743 | 286,00 | 365,00 | --- | --- | --- | --- | --- |
| | 20 | 2145 | 1045 | 366,00 | 456,00 | --- | --- | --- | --- | --- |
| 160 | --- | --- | --- | --- | --- | 06 | 861 | 419 | 288,00 | 361,00 |
| | 10 | 1048 | 509 | 269,00 | 351,00 | --- | --- | --- | --- | --- |
| | 15 | 1744 | 850 | 341,00 | 434,00 | --- | --- | --- | --- | --- |
| | 20 | 2451 | 1194 | 438,00 | 544,00 | --- | --- | --- | --- | --- |
| 180 | --- | --- | --- | --- | --- | 06 | 968 | 471 | 313,00 | 391,00 |
| | 10 | 1179 | 573 | 294,00 | 384,00 | --- | --- | --- | --- | --- |
| | 15 | 1962 | 956 | 372,00 | 474,00 | --- | --- | --- | --- | --- |
| | 20 | 2758 | 1343 | 475,00 | 590,00 | --- | --- | --- | --- | --- |
| 200 | --- | --- | --- | --- | --- | 06 | 1076 | 524 | 339,00 | 424,00 |
| | 10 | 1310 | 637 | 317,00 | 416,00 | --- | --- | --- | --- | --- |
| | 15 | 2180 | 1062 | 424,00 | 538,00 | --- | --- | --- | --- | --- |
| | 20 | 3064 | 1493 | 517,00 | 644,00 | --- | --- | --- | --- | --- |
| 240 | --- | --- | --- | --- | --- | 06 | 1291 | 628 | 426,00 | 534,00 |
| | 10 | 1572 | 764 | 399,00 | 524,00 | --- | --- | --- | --- | --- |
| | 15 | 2616 | 1274 | 533,00 | 675,00 | --- | --- | --- | --- | --- |
| | 20 | 3677 | 1791 | 650,00 | 810,00 | --- | --- | --- | --- | --- |
| 280 | --- | --- | --- | --- | --- | 06 | 1506 | 733 | 478,00 | 599,00 |
| | 10 | 1834 | 891 | 449,00 | 588,00 | --- | --- | --- | --- | --- |
| | 15 | 3052 | 1487 | 598,00 | 758,00 | --- | --- | --- | --- | --- |
| | 20 | 4290 | 2090 | 734,00 | 913,00 | --- | --- | --- | --- | --- |

Émission EN442 à 20°C

| L | STANDARD | | | | | TWIN | | | | |
|-----|----------|----------------|----------------|------------------|------------|------|----------------|----------------|------------------|------------|
| | Type | Watts 75/65 | Watts 55/45 | € couleur st. | € autre | Type | Watts 75/65 | Watts 55/45 | € couleur st. | € autre |
| 050 | --- | --- | --- | --- | --- | 06 | 395 | 194 | 177,00 | 223,00 |
| | 10 | 449 | 220 | 138,00 | 187,00 | 11 | 598 | 287 | 207,00 | 256,00 |
| | 15 | 735 | 361 | 161,00 | 214,00 | 16 | 797 | 378 | 243,00 | 296,00 |
| | 20 | 1030 | 506 | 186,00 | 243,00 | 21 | 1057 | 498 | 261,00 | 318,00 |
| 060 | --- | --- | --- | --- | --- | 06 | 474 | 233 | 189,00 | 238,00 |
| | 10 | 539 | 264 | 147,00 | 200,00 | 11 | 718 | 344 | 220,00 | 273,00 |
| | 15 | 882 | 434 | 174,00 | 231,00 | 16 | 956 | 454 | 262,00 | 319,00 |
| | 20 | 1236 | 608 | 202,00 | 264,00 | 21 | 1268 | 598 | 283,00 | 345,00 |
| 070 | --- | --- | --- | --- | --- | 06 | 553 | 271 | 213,00 | 265,00 |
| | 10 | 629 | 308 | 164,00 | 220,00 | 11 | 837 | 401 | 246,00 | 302,00 |
| | 15 | 1029 | 506 | 196,00 | 256,00 | 16 | 1115 | 529 | 297,00 | 358,00 |
| | 20 | 1442 | 709 | 231,00 | 297,00 | 21 | 1480 | 698 | 325,00 | 392,00 |
| 080 | --- | --- | --- | --- | --- | 06 | 632 | 310 | 228,00 | 284,00 |
| | 10 | 718 | 351 | 176,00 | 236,00 | 11 | 957 | 459 | 263,00 | 323,00 |
| | 15 | 1176 | 578 | 211,00 | 275,00 | 16 | 1274 | 605 | 319,00 | 383,00 |
| | 20 | 1648 | 810 | 249,00 | 320,00 | 21 | 1691 | 797 | 350,00 | 421,00 |
| 090 | --- | --- | --- | --- | --- | 06 | 711 | 349 | 242,00 | 302,00 |
| | 10 | 808 | 395 | 188,00 | 253,00 | 11 | 1076 | 516 | 280,00 | 345,00 |
| | 15 | 1323 | 650 | 229,00 | 300,00 | 16 | 1434 | 681 | 343,00 | 414,00 |
| | 20 | 1854 | 911 | 270,00 | 348,00 | 21 | 1903 | 897 | 377,00 | 456,00 |
| 100 | --- | --- | --- | --- | --- | 06 | 790 | 388 | 260,00 | 321,00 |
| | 10 | 898 | 439 | 201,00 | 268,00 | 11 | 1196 | 573 | 301,00 | 367,00 |
| | 15 | 1470 | 723 | 246,00 | 321,00 | 16 | 1593 | 756 | 373,00 | 447,00 |
| | 20 | 2060 | 1013 | 293,00 | 374,00 | 21 | 2114 | 997 | 412,00 | 493,00 |
| 110 | --- | --- | --- | --- | --- | 06 | 869 | 427 | 274,00 | 337,00 |
| | 10 | 988 | 483 | 212,00 | 282,00 | 11 | 1316 | 631 | 316,00 | 386,00 |
| | 15 | 1617 | 795 | 261,00 | 339,00 | 16 | 1752 | 832 | 394,00 | 472,00 |
| | 20 | 2266 | 1114 | 312,00 | 398,00 | 21 | 2325 | 1096 | 438,00 | 524,00 |
| 120 | --- | --- | --- | --- | --- | 06 | 948 | 465 | 290,00 | 358,00 |
| | 10 | 1078 | 528 | 226,00 | 302,00 | 11 | 1435 | 688 | 335,00 | 411,00 |
| | 15 | 1764 | 867 | 279,00 | 364,00 | 16 | 1912 | 908 | 420,00 | 505,00 |
| | 20 | 2472 | 1215 | 335,00 | 429,00 | 21 | 2537 | 1196 | 468,00 | 562,00 |
| 140 | --- | --- | --- | --- | --- | 06 | 1106 | 543 | 320,00 | 392,00 |
| | 10 | 1257 | 615 | 248,00 | 329,00 | 11 | 1674 | 802 | 369,00 | 450,00 |
| | 15 | 2058 | 1012 | 308,00 | 399,00 | 16 | 2230 | 1059 | 466,00 | 556,00 |
| | 20 | 2884 | 1418 | 390,00 | 491,00 | 21 | 2960 | 1396 | 550,00 | 652,00 |
| 160 | --- | --- | --- | --- | --- | 06 | 1264 | 620 | 378,00 | 462,00 |
| | 10 | 1437 | 703 | 292,00 | 386,00 | 11 | 1914 | 917 | 432,00 | 527,00 |
| | 15 | 2352 | 1156 | 366,00 | 471,00 | 16 | 2549 | 1210 | 551,00 | 656,00 |
| | 20 | 3296 | 1620 | 464,00 | 583,00 | 21 | 3382 | 1594 | 653,00 | 772,00 |
| 180 | --- | --- | --- | --- | --- | 06 | 1422 | 698 | 408,00 | 500,00 |
| | 10 | 1616 | 791 | 317,00 | 422,00 | 11 | 2153 | 1032 | 468,00 | 572,00 |
| | 15 | 2646 | 1301 | 399,00 | 514,00 | 16 | 2867 | 1361 | 598,00 | 714,00 |
| | 20 | 3708 | 1823 | 503,00 | 633,00 | 21 | 3805 | 1794 | 707,00 | 836,00 |
| 200 | --- | --- | --- | --- | --- | 06 | 1580 | 776 | 442,00 | 542,00 |
| | 10 | 1796 | 879 | 343,00 | 456,00 | 11 | 2392 | 1146 | 503,00 | 617,00 |
| | 15 | 2940 | 1445 | 453,00 | 581,00 | 16 | 3186 | 1513 | 682,00 | 810,00 |
| | 20 | 4120 | 2025 | 547,00 | 689,00 | 21 | 4228 | 1993 | 766,00 | 909,00 |
| 240 | --- | --- | --- | --- | --- | 06 | 1896 | 931 | 553,00 | 679,00 |
| | 10 | 2155 | 1055 | 430,00 | 572,00 | 11 | 2870 | 1375 | 627,00 | 770,00 |
| | 15 | 3528 | 1734 | 566,00 | 726,00 | 16 | 3823 | 1815 | 849,00 | 1009,00 |
| | 20 | 4944 | 2431 | 686,00 | 864,00 | 21 | 5074 | 2392 | 958,00 | 1136,00 |
| 280 | --- | --- | --- | --- | --- | 06 | 2212 | 1086 | 621,00 | 761,00 |
| | 10 | 2514 | 1230 | 483,00 | 642,00 | 11 | 3349 | 1605 | 703,00 | 862,00 |
| | 15 | 4116 | 2024 | 636,00 | 815,00 | 16 | 4460 | 2118 | 951,00 | 1131,00 |
| | 20 | 5768 | 2836 | 773,00 | 973,00 | 21 | 5919 | 2791 | 1079,00 | 1278,00 |

Émission EN442 à 20°C

| L | STANDARD | | | | | TWIN | | | | |
|-----|----------|----------------|----------------|------------------|------------|------|----------------|----------------|------------------|------------|
| | Type | Watts 75/65 | Watts 55/45 | € couleur st. | € autre | Type | Watts 75/65 | Watts 55/45 | € couleur st. | € autre |
| 050 | --- | --- | --- | --- | --- | 06 | 474 | 235 | 184,00 | 236,00 |
| | 10 | 538 | 265 | 147,00 | 202,00 | 11 | 693 | 332 | 215,00 | 270,00 |
| | 15 | 867 | 430 | 172,00 | 231,00 | 16 | 949 | 449 | 253,00 | 312,00 |
| | 20 | 1213 | 602 | 199,00 | 262,00 | 21 | 1291 | 605 | 272,00 | 336,00 |
| 060 | --- | --- | --- | --- | --- | 06 | 568 | 282 | 196,00 | 251,00 |
| | 10 | 646 | 318 | 158,00 | 216,00 | 11 | 832 | 399 | 230,00 | 288,00 |
| | 15 | 1040 | 516 | 186,00 | 249,00 | 16 | 1139 | 539 | 273,00 | 336,00 |
| | 20 | 1455 | 722 | 216,00 | 284,00 | 21 | 1549 | 725 | 295,00 | 363,00 |
| 070 | --- | --- | --- | --- | --- | 06 | 663 | 329 | 222,00 | 279,00 |
| | 10 | 753 | 371 | 175,00 | 237,00 | 11 | 970 | 465 | 257,00 | 319,00 |
| | 15 | 1214 | 602 | 209,00 | 275,00 | 16 | 1329 | 629 | 309,00 | 375,00 |
| | 20 | 1698 | 842 | 245,00 | 318,00 | 21 | 1807 | 846 | 338,00 | 411,00 |
| 080 | --- | --- | --- | --- | --- | 06 | 758 | 376 | 238,00 | 299,00 |
| | 10 | 861 | 424 | 188,00 | 254,00 | 11 | 1109 | 532 | 274,00 | 341,00 |
| | 15 | 1387 | 688 | 224,00 | 295,00 | 16 | 1518 | 719 | 332,00 | 403,00 |
| | 20 | 1940 | 962 | 264,00 | 343,00 | 21 | 2066 | 968 | 363,00 | 442,00 |
| 090 | --- | --- | --- | --- | --- | 06 | 852 | 423 | 253,00 | 319,00 |
| | 10 | 968 | 477 | 201,00 | 273,00 | 11 | 1247 | 598 | 292,00 | 364,00 |
| | 15 | 1561 | 774 | 242,00 | 321,00 | 16 | 1708 | 809 | 356,00 | 435,00 |
| | 20 | 2183 | 1083 | 286,00 | 372,00 | 21 | 2324 | 1088 | 392,00 | 478,00 |
| 100 | --- | --- | --- | --- | --- | 06 | 947 | 470 | 271,00 | 339,00 |
| | 10 | 1076 | 530 | 214,00 | 289,00 | 11 | 1386 | 665 | 313,00 | 387,00 |
| | 15 | 1734 | 860 | 261,00 | 343,00 | 16 | 1898 | 898 | 386,00 | 468,00 |
| | 20 | 2425 | 1203 | 309,00 | 399,00 | 21 | 2582 | 1209 | 427,00 | 517,00 |
| 110 | --- | --- | --- | --- | --- | 06 | 1042 | 517 | 286,00 | 357,00 |
| | 10 | 1184 | 584 | 226,00 | 305,00 | 11 | 1525 | 732 | 329,00 | 408,00 |
| | 15 | 1907 | 946 | 276,00 | 363,00 | 16 | 2088 | 988 | 408,00 | 495,00 |
| | 20 | 2668 | 1323 | 329,00 | 425,00 | 21 | 2840 | 1330 | 454,00 | 549,00 |
| 120 | --- | --- | --- | --- | --- | 06 | 1136 | 564 | 302,00 | 378,00 |
| | 10 | 1291 | 636 | 241,00 | 326,00 | 11 | 1663 | 798 | 349,00 | 433,00 |
| | 15 | 2081 | 1032 | 296,00 | 389,00 | 16 | 2278 | 1078 | 435,00 | 529,00 |
| | 20 | 2910 | 1443 | 353,00 | 456,00 | 21 | 3098 | 1451 | 484,00 | 588,00 |
| 140 | --- | --- | --- | --- | --- | 06 | 1326 | 658 | 335,00 | 416,00 |
| | 10 | 1506 | 742 | 266,00 | 357,00 | 11 | 1940 | 931 | 386,00 | 477,00 |
| | 15 | 2428 | 1204 | 328,00 | 429,00 | 16 | 2657 | 1258 | 483,00 | 584,00 |
| | 20 | 3395 | 1684 | 412,00 | 524,00 | 21 | 3615 | 1693 | 570,00 | 682,00 |
| 160 | --- | --- | --- | --- | --- | 06 | 1515 | 752 | 395,00 | 490,00 |
| | 10 | 1722 | 849 | 313,00 | 419,00 | 11 | 2218 | 1064 | 451,00 | 558,00 |
| | 15 | 2774 | 1376 | 388,00 | 505,00 | 16 | 3037 | 1438 | 571,00 | 688,00 |
| | 20 | 3880 | 1924 | 488,00 | 620,00 | 21 | 4131 | 1935 | 675,00 | 807,00 |
| 180 | --- | --- | --- | --- | --- | 06 | 1705 | 846 | 427,00 | 531,00 |
| | 10 | 1937 | 955 | 340,00 | 457,00 | 11 | 2495 | 1197 | 489,00 | 606,00 |
| | 15 | 3121 | 1548 | 422,00 | 551,00 | 16 | 3416 | 1617 | 621,00 | 750,00 |
| | 20 | 4365 | 2165 | 529,00 | 672,00 | 21 | 4648 | 2177 | 731,00 | 874,00 |
| 200 | --- | --- | --- | --- | --- | 06 | 1894 | 940 | 462,00 | 576,00 |
| | 10 | 2152 | 1061 | 367,00 | 495,00 | 11 | 2772 | 1330 | 526,00 | 653,00 |
| | 15 | 3468 | 1720 | 478,00 | 621,00 | 16 | 3796 | 1797 | 706,00 | 848,00 |
| | 20 | 4850 | 2405 | 574,00 | 732,00 | 21 | 5164 | 2418 | 792,00 | 949,00 |
| 240 | --- | --- | --- | --- | --- | 06 | 2273 | 1128 | 578,00 | 720,00 |
| | 10 | 2582 | 1273 | 459,00 | 618,00 | 11 | 3326 | 1596 | 654,00 | 813,00 |
| | 15 | 4162 | 2064 | 597,00 | 774,00 | 16 | 4555 | 2156 | 877,00 | 1054,00 |
| | 20 | 5820 | 2886 | 719,00 | 914,00 | 21 | 6197 | 2902 | 988,00 | 1183,00 |
| 280 | --- | --- | --- | --- | --- | 06 | 2652 | 1316 | 649,00 | 808,00 |
| | 10 | 3013 | 1485 | 516,00 | 694,00 | 11 | 3881 | 1862 | 734,00 | 912,00 |
| | 15 | 4855 | 2408 | 670,00 | 869,00 | 16 | 5314 | 2516 | 984,00 | 1183,00 |
| | 20 | 6790 | 3367 | 810,00 | 1030,00 | 21 | 7230 | 3386 | 1113,00 | 1333,00 |

Émission EN442 à 20°C

| L | STANDARD | | | | | TWIN | | | | |
|-----|----------|----------------|----------------|------------------|------------|------|----------------|----------------|------------------|------------|
| | Type | Watts 75/65 | Watts 55/45 | € couleur st. | € autre | Type | Watts 75/65 | Watts 55/45 | € couleur st. | € autre |
| 050 | --- | --- | --- | --- | --- | 06 | 533 | 267 | 193,00 | 249,00 |
| | 10 | 606 | 301 | 158,00 | 218,00 | 11 | 772 | 371 | 226,00 | 285,00 |
| | 15 | 961 | 481 | 185,00 | 249,00 | 16 | 1087 | 513 | 265,00 | 329,00 |
| | 20 | 1343 | 672 | 212,00 | 282,00 | 21 | 1515 | 705 | 286,00 | 355,00 |
| 060 | --- | --- | --- | --- | --- | 06 | 640 | 321 | 207,00 | 266,00 |
| | 10 | 727 | 361 | 170,00 | 234,00 | 11 | 926 | 444 | 241,00 | 305,00 |
| | 15 | 1153 | 577 | 199,00 | 269,00 | 16 | 1304 | 615 | 286,00 | 355,00 |
| | 20 | 1611 | 806 | 230,00 | 305,00 | 21 | 1818 | 846 | 310,00 | 385,00 |
| 070 | --- | --- | --- | --- | --- | 06 | 746 | 374 | 232,00 | 295,00 |
| | 10 | 848 | 421 | 188,00 | 256,00 | 11 | 1080 | 518 | 269,00 | 337,00 |
| | 15 | 1345 | 673 | 223,00 | 296,00 | 16 | 1521 | 718 | 322,00 | 396,00 |
| | 20 | 1880 | 941 | 260,00 | 341,00 | 21 | 2121 | 987 | 353,00 | 434,00 |
| 080 | --- | --- | --- | --- | --- | 06 | 853 | 428 | 249,00 | 317,00 |
| | 10 | 969 | 481 | 202,00 | 275,00 | 11 | 1234 | 592 | 287,00 | 361,00 |
| | 15 | 1538 | 770 | 239,00 | 318,00 | 16 | 1738 | 820 | 346,00 | 425,00 |
| | 20 | 2148 | 1075 | 280,00 | 367,00 | 21 | 2424 | 1128 | 380,00 | 466,00 |
| 090 | --- | --- | --- | --- | --- | 06 | 959 | 481 | 265,00 | 339,00 |
| | 10 | 1090 | 541 | 216,00 | 296,00 | 11 | 1389 | 667 | 306,00 | 386,00 |
| | 15 | 1730 | 866 | 259,00 | 346,00 | 16 | 1956 | 923 | 372,00 | 459,00 |
| | 20 | 2417 | 1210 | 303,00 | 398,00 | 21 | 2727 | 1269 | 409,00 | 504,00 |
| 100 | --- | --- | --- | --- | --- | 06 | 1066 | 535 | 284,00 | 359,00 |
| | 10 | 1211 | 601 | 229,00 | 311,00 | 11 | 1543 | 741 | 327,00 | 409,00 |
| | 15 | 1922 | 962 | 277,00 | 367,00 | 16 | 2173 | 1026 | 402,00 | 492,00 |
| | 20 | 2685 | 1344 | 326,00 | 425,00 | 21 | 3030 | 1410 | 444,00 | 542,00 |
| 110 | --- | --- | --- | --- | --- | 06 | 1173 | 589 | 299,00 | 378,00 |
| | 10 | 1332 | 661 | 242,00 | 328,00 | 11 | 1697 | 814 | 344,00 | 431,00 |
| | 15 | 2114 | 1058 | 293,00 | 388,00 | 16 | 2390 | 1128 | 425,00 | 520,00 |
| | 20 | 2954 | 1478 | 347,00 | 452,00 | 21 | 3333 | 1551 | 471,00 | 576,00 |
| 120 | --- | --- | --- | --- | --- | 06 | 1279 | 642 | 317,00 | 401,00 |
| | 10 | 1453 | 721 | 258,00 | 352,00 | 11 | 1852 | 889 | 365,00 | 459,00 |
| | 15 | 2306 | 1154 | 314,00 | 418,00 | 16 | 2608 | 1231 | 453,00 | 556,00 |
| | 20 | 3222 | 1613 | 372,00 | 486,00 | 21 | 3636 | 1692 | 504,00 | 618,00 |
| 140 | --- | --- | --- | --- | --- | 06 | 1492 | 749 | 351,00 | 442,00 |
| | 10 | 1695 | 841 | 286,00 | 387,00 | 11 | 2160 | 1037 | 404,00 | 505,00 |
| | 15 | 2691 | 1347 | 350,00 | 460,00 | 16 | 3042 | 1436 | 504,00 | 615,00 |
| | 20 | 3759 | 1881 | 435,00 | 557,00 | 21 | 4242 | 1975 | 592,00 | 715,00 |
| 160 | --- | --- | --- | --- | --- | 06 | 1706 | 856 | 415,00 | 521,00 |
| | 10 | 1938 | 962 | 335,00 | 453,00 | 11 | 2469 | 1185 | 473,00 | 591,00 |
| | 15 | 3075 | 1539 | 412,00 | 542,00 | 16 | 3477 | 1641 | 595,00 | 724,00 |
| | 20 | 4296 | 2150 | 514,00 | 659,00 | 21 | 4848 | 2257 | 700,00 | 845,00 |
| 180 | --- | --- | --- | --- | --- | 06 | 1919 | 963 | 449,00 | 565,00 |
| | 10 | 2180 | 1082 | 364,00 | 494,00 | 11 | 2777 | 1333 | 513,00 | 642,00 |
| | 15 | 3460 | 1732 | 448,00 | 591,00 | 16 | 3911 | 1846 | 646,00 | 788,00 |
| | 20 | 4833 | 2419 | 557,00 | 713,00 | 21 | 5454 | 2539 | 758,00 | 915,00 |
| 200 | --- | --- | --- | --- | --- | 06 | 2132 | 1070 | 485,00 | 613,00 |
| | 10 | 2422 | 1202 | 393,00 | 535,00 | 11 | 3086 | 1481 | 551,00 | 693,00 |
| | 15 | 3844 | 1924 | 506,00 | 663,00 | 16 | 4346 | 2051 | 733,00 | 890,00 |
| | 20 | 5370 | 2688 | 603,00 | 776,00 | 21 | 6060 | 2821 | 820,00 | 993,00 |
| 240 | --- | --- | --- | --- | --- | 06 | 2558 | 1284 | 606,00 | 764,00 |
| | 10 | 2906 | 1443 | 491,00 | 666,00 | 11 | 3703 | 1777 | 685,00 | 860,00 |
| | 15 | 4613 | 2309 | 630,00 | 825,00 | 16 | 5215 | 2461 | 909,00 | 1104,00 |
| | 20 | 6444 | 3225 | 754,00 | 967,00 | 21 | 7272 | 3385 | 1023,00 | 1236,00 |
| 280 | --- | --- | --- | --- | --- | 06 | 2985 | 1498 | 680,00 | 857,00 |
| | 10 | 3391 | 1683 | 550,00 | 747,00 | 11 | 4320 | 2073 | 767,00 | 964,00 |
| | 15 | 5382 | 2694 | 707,00 | 925,00 | 16 | 6084 | 2871 | 1019,00 | 1237,00 |
| | 20 | 7518 | 3763 | 848,00 | 1088,00 | 21 | 8484 | 3949 | 1151,00 | 1390,00 |

Émission EN442 à 20°C

| L | STANDARD | | | | | TWIN | | | | |
|-----|----------|----------------|----------------|------------------|------------|------|----------------|----------------|------------------|------------|
| | Type | Watts 75/65 | Watts 55/45 | € couleur st. | € autre | Type | Watts 75/65 | Watts 55/45 | € couleur st. | € autre |
| 050 | --- | --- | --- | --- | --- | --- | --- | --- | --- | --- |
| | --- | --- | --- | --- | --- | --- | --- | --- | --- | --- |
| | --- | --- | --- | --- | --- | --- | --- | --- | --- | --- |
| | --- | --- | --- | --- | --- | --- | --- | --- | --- | --- |
| 060 | --- | --- | --- | --- | --- | 06 | 736 | 378 | 222,00 | 292,00 |
| | 10 | 836 | 421 | 189,00 | 264,00 | 11 | 1078 | 518 | 258,00 | 332,00 |
| | 15 | 1288 | 656 | 222,00 | 302,00 | 16 | 1606 | 753 | 305,00 | 386,00 |
| | 20 | 1795 | 915 | 253,00 | 339,00 | 21 | 2352 | 1081 | 329,00 | 416,00 |
| 070 | --- | --- | --- | --- | --- | 06 | 858 | 440 | 249,00 | 322,00 |
| | 10 | 975 | 491 | 208,00 | 287,00 | 11 | 1257 | 604 | 287,00 | 365,00 |
| | 15 | 1502 | 765 | 246,00 | 331,00 | 16 | 1874 | 879 | 342,00 | 427,00 |
| | 20 | 2094 | 1067 | 283,00 | 376,00 | 21 | 2744 | 1261 | 373,00 | 466,00 |
| 080 | --- | --- | --- | --- | --- | 06 | 981 | 503 | 268,00 | 349,00 |
| | 10 | 1114 | 561 | 224,00 | 310,00 | 11 | 1437 | 691 | 308,00 | 393,00 |
| | 15 | 1717 | 875 | 264,00 | 357,00 | 16 | 2142 | 1005 | 368,00 | 461,00 |
| | 20 | 2394 | 1220 | 306,00 | 406,00 | 21 | 3136 | 1441 | 402,00 | 503,00 |
| 090 | --- | --- | --- | --- | --- | 06 | 1103 | 566 | 286,00 | 372,00 |
| | 10 | 1254 | 631 | 240,00 | 333,00 | 11 | 1616 | 777 | 327,00 | 420,00 |
| | 15 | 1931 | 984 | 285,00 | 386,00 | 16 | 2409 | 1130 | 396,00 | 497,00 |
| | 20 | 2693 | 1372 | 329,00 | 439,00 | 21 | 3528 | 1621 | 432,00 | 542,00 |
| 100 | --- | --- | --- | --- | --- | 06 | 1226 | 629 | 308,00 | 398,00 |
| | 10 | 1393 | 701 | 257,00 | 355,00 | 11 | 1796 | 863 | 352,00 | 450,00 |
| | 15 | 2146 | 1093 | 308,00 | 415,00 | 16 | 2677 | 1256 | 429,00 | 536,00 |
| | 20 | 2992 | 1524 | 357,00 | 473,00 | 21 | 3920 | 1801 | 471,00 | 587,00 |
| 110 | --- | --- | --- | --- | --- | 06 | 1349 | 692 | 325,00 | 422,00 |
| | 10 | 1532 | 771 | 272,00 | 376,00 | 11 | 1976 | 950 | 372,00 | 476,00 |
| | 15 | 2361 | 1203 | 326,00 | 440,00 | 16 | 2945 | 1381 | 455,00 | 568,00 |
| | 20 | 3291 | 1677 | 380,00 | 504,00 | 21 | 4312 | 1982 | 502,00 | 625,00 |
| 120 | --- | --- | --- | --- | --- | 06 | 1471 | 754 | 345,00 | 447,00 |
| | 10 | 1672 | 842 | 289,00 | 402,00 | 11 | 2155 | 1036 | 394,00 | 506,00 |
| | 15 | 2575 | 1312 | 348,00 | 471,00 | 16 | 3212 | 1507 | 484,00 | 607,00 |
| | 20 | 3590 | 1829 | 407,00 | 540,00 | 21 | 4704 | 2162 | 535,00 | 669,00 |
| 140 | --- | --- | --- | --- | --- | 06 | 1716 | 880 | 384,00 | 496,00 |
| | 10 | 1950 | 982 | 324,00 | 446,00 | 11 | 2514 | 1208 | 439,00 | 561,00 |
| | 15 | 3004 | 1531 | 391,00 | 524,00 | 16 | 3748 | 1758 | 541,00 | 674,00 |
| | 20 | 4189 | 2134 | 476,00 | 622,00 | 21 | 5488 | 2522 | 630,00 | 775,00 |

Émission EN442 à 20°C

NOTES

NOTES

jaga

CLIMATE DESIGNERS

Jaga S.A.
Verbindingslaan 16
B-3590 Diepenbeek

Tél.: +32 (0)11 29 41 11
Fax: +32 (0)11 32 35 78
E-mail: info@jaga.com

Vu que le développement des produits constitue un processus continu,
toutes ces données sont mentionnées sous réserve de modifications éventuelles.
Prix en Euro, hors TVA. Prix valables dès le 1^{er} Janvier 2020. Remplace tous les tarifs précédents.